

## QL100 Series Range Hood

To register this product visit:  
[www.broan.com](http://www.broan.com)

 **INTENDED FOR DOMESTIC COOKING ONLY** 

### IMPORTANT SAFETY INSTRUCTIONS

#### **WARNING – TO REDUCE THE RISK OF FIRE, ELECTRIC SHOCK, OR INJURY TO PERSONS, OBSERVE THE FOLLOWING:**

1. Use this unit only in the manner intended by the manufacturer. If you have questions, contact the manufacturer at the address or telephone number listed in the warranty.
2. Before servicing or cleaning unit, switch power off at service panel and lock service panel to prevent power from being switched on accidentally. When the service disconnecting means cannot be locked, securely fasten a prominent warning device, such as a tag, to the service panel.
3. Installation work and electrical wiring must be done by a qualified person(s) in accordance with all applicable codes and standards, including fire-rated construction codes and standards.
4. Sufficient air is needed for proper combustion and exhausting of gases through the flue (chimney) of fuel burning equipment to prevent backdrafting. Follow the heating equipment manufacturer's guideline and safety standards such as those published by the National Fire Protection Association (NFPA), and the American Society for Heating, Refrigeration and Air Conditioning Engineers (ASHRAE), and the local code authorities.
5. When cutting or drilling into wall or ceiling, do not damage electrical wiring and other hidden utilities.
6. Ducted fans must always be vented to the outdoors.
7. Use with approved cord-connection kit only.
8. To reduce the risk of fire, use only metal ductwork.

#### **TO REDUCE THE RISK OF A RANGE TOP GREASE FIRE:**

1. Never leave surface units unattended at high settings. Boilovers cause smoking and greasy spillovers that may ignite. Heat oils slowly on low or medium settings.
2. Always turn hood ON when cooking at high heat or when cooking flaming foods.
3. Clean ventilating fans frequently. Grease should not be allowed to accumulate on fan or filter.
4. Use proper pan size. Always use cookware appropriate for the size of the surface element.

#### **TO REDUCE THE RISK OF INJURY TO PERSONS IN THE EVENT OF A RANGE TOP GREASE FIRE, OBSERVE THE FOLLOWING\*:**

1. **SMOTHER FLAMES** with a close-fitting lid, cookie sheet, or metal tray, then turn off the burner. **BE CAREFUL TO PREVENT BURNS.** If the flames do not go out immediately, **EVACUATE AND CALL THE FIRE DEPARTMENT.**
2. **NEVER PICK UP A FLAMING PAN** - You may be burned.
3. **DO NOT USE WATER**, including wet dishcloths or towels - a violent steam explosion will result.
4. Use an extinguisher **ONLY** if:
  - A. You know you have a Class ABC extinguisher, and you already know how to operate it.
  - B. The fire is small and contained in the area where it started.
  - C. The fire department is being called.
  - D. You can fight the fire with your back to an exit.

\* Based on "Kitchen Firesafety Tips" published by NFPA.

### IMPORTANT SAFETY INSTRUCTIONS

1. For general ventilating use only. **Do not** use to exhaust hazardous or explosive materials and vapors.
2. To reduce the risk of fire or electrical shock, this range hood should not be used with an additional speed control device.
3. To reduce the risk of shock, disconnect power before servicing.
4. To reduce the risk of fire and to properly exhaust air, be sure to duct air outside.

### PLAN THE INSTALLATION

Recommended mounting height is 18" to 24" from the bottom of the range hood to the top of the cooking surface.

The hood should be mounted to the bottom of a standard wall cabinet. If the hood must be mounted directly to a wall, secure the hood to wall studs.

All wiring must comply with local codes and the unit must be properly grounded. The hood is connected to a 110-120vAC lighting circuit (15 amp) in the circuit breaker or fuse box.

This range hood is "Convertible" – it may be installed as a ducted or as a non-ducted unit.

#### **IF THE RANGE HOOD IS TO BE NON-DUCTED:**

Purchase non-ducted (duct-free) charcoal filter Model BPQTF.

#### **IF THE RANGE HOOD IS TO BE DUCTED:**

Ductwork can be installed vertically or horizontally.

Duct runs should be as short as possible.

Avoid the use of elbows.

Use duct tape at all joints.

Do not use duct smaller than the discharge on the hood.

For 7" round ductwork installation, use 7" round damper, Model BP87 (97010792) Purchased damper separately.

### HORIZONTAL DISCHARGE THROUGH WALL

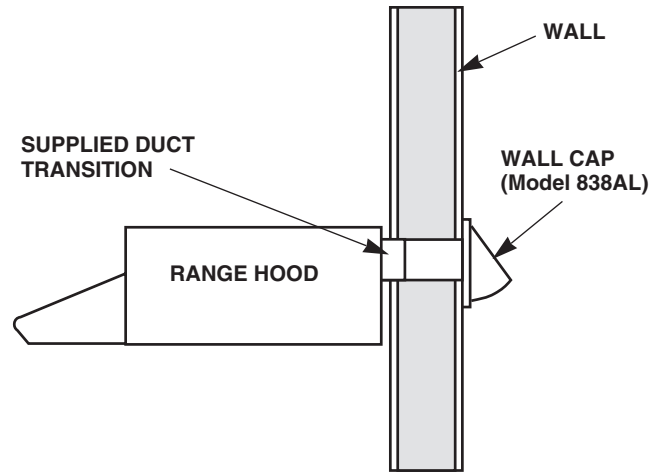
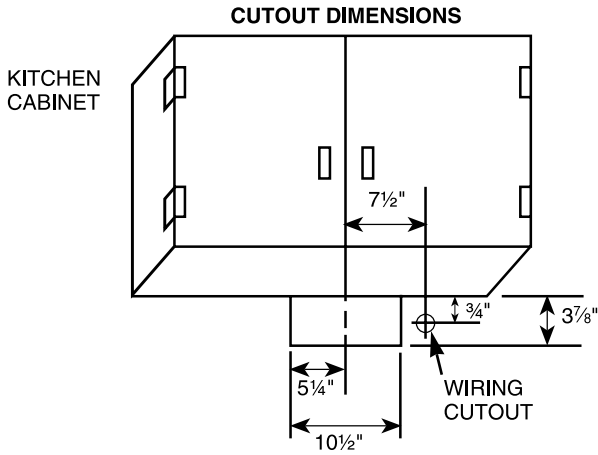


FIGURE 1

### VERTICAL DISCHARGE USING 3 1/4" x 10" DUCT

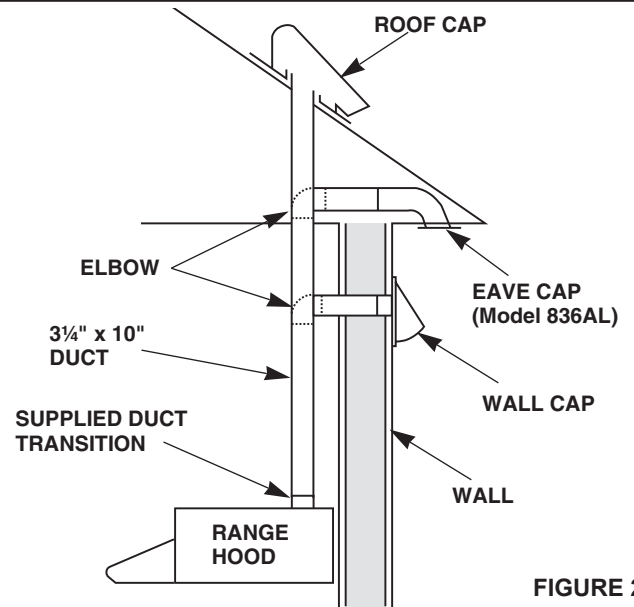
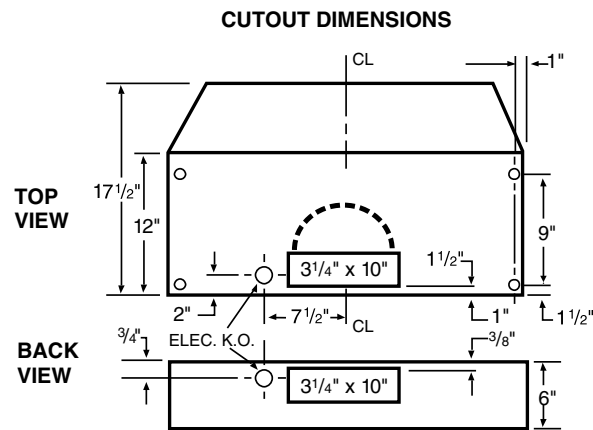


FIGURE 2

### VERTICAL DISCHARGE USING 7" ROUND DUCT

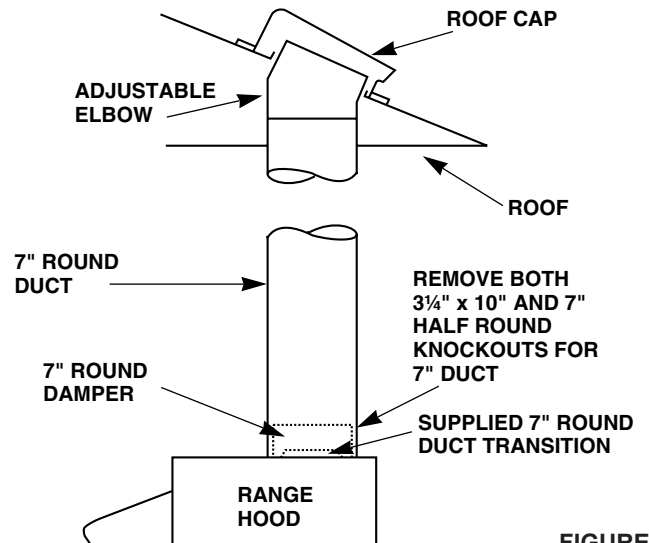
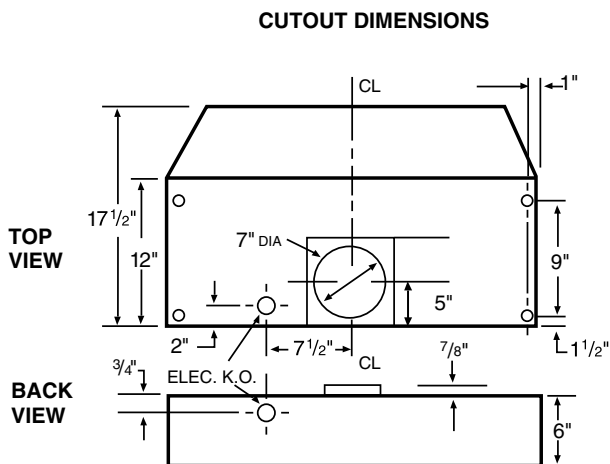


FIGURE 3

## PREPARATION

1. Use the dimensional drawings (**Refer to FIGURES 1 - 3**) to lay out the range hood's mounting holes, wiring access and ductwork by marking the cabinet bottom and drywall where applicable. **NOTE:** Cabinets with recessed bottoms will require wood shims to make mounting surface flush with cabinet frame.
2. Make cutouts for wiring and ductwork.
3. If the hood is to be ducted, install the ductwork so that is flush to the range hood's mounting surface.

**Refer to FIGURE 1** if the range hood is to be installed with a horizontal discharge.

**Refer to FIGURE 2 and FIGURE 3** if the range hood is to be installed with a vertical discharge.

4. Run two-conductor wire (with ground) from a power source to the hood location. Bring approximately 12" of wiring through wiring hole in cabinet.
5. Drill four 3/32" diameter pilot holes at points where mounting holes are marked in cabinet bottom.
6. Insert four (4) mounting screws, leaving approximately 1/4" of thread exposed.
7. Remove and retain the mounting screws securing the 3 1/4" x 10" and 7" duct transitions to the hood. Install the appropriate duct transition as described in the installation section.

## INSTALLATION

1. Remove the necessary duct opening and wiring knockout from the range hood.

**If the range hood is to be installed as a non-ducted unit,** remove the wiring knockout only.

**If the range hood is to be installed as a ducted unit,** a baffle plate is provided to close off the non-ducted vent. Install baffle plate (**Refer to FIGURE 4**) by sliding into place behind grille. Use locator bumps to orient in grille.

2. **For 7" round discharge installation, refer to FIGURE 5.** Secure 7" adapter (included) to top of hood using screws provided. Install 7" round damper (Model BP87 (97010792), purchased separately).

**For 3 1/4" x 10" vertical discharge installation, refer to FIGURE 6.** Secure 3 1/4" x 10" transition (if used) to top of hood.

**For 3 1/4" x 10" horizontal discharge installation, refer to FIGURE 7.** If using supplied 3 1/4" x 10" duct transition, secure it to the range hood. Ensure that the damper flap operates fully and freely. If it does not, remove the damper flap or make necessary modifications to the installation to insure full and free operation of the damper flap.

3. Feed the wiring through the access hold and into the electrical box.
4. Align hood's keyhole mounting slots over the four (4) partially installed screws.
5. Making sure the duct positions over the hood's duct transition, push the hood against the rear wall. Secure hood by tightening screws.
6. Using a long blade screwdriver, reach into the discharge opening and make sure the damper flap operates freely (vertical discharge only).

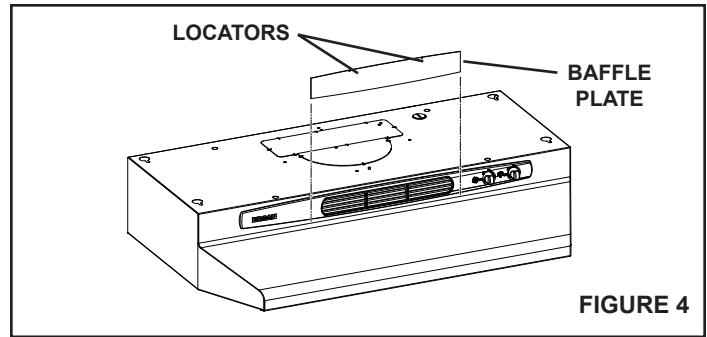


FIGURE 4

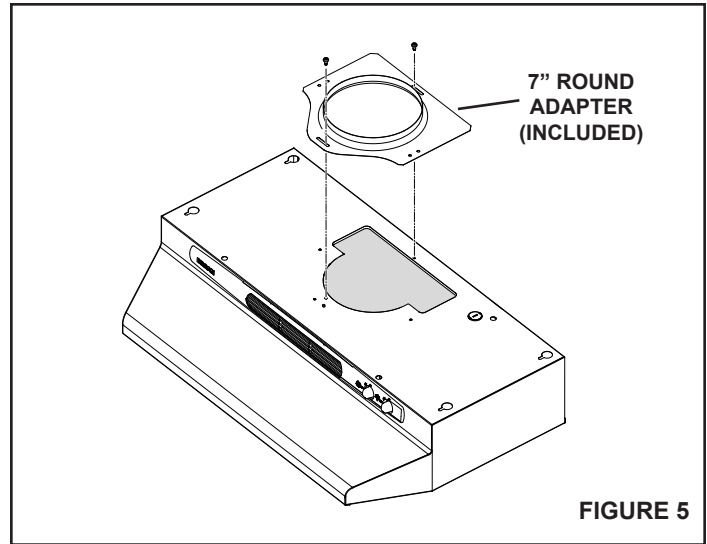


FIGURE 5

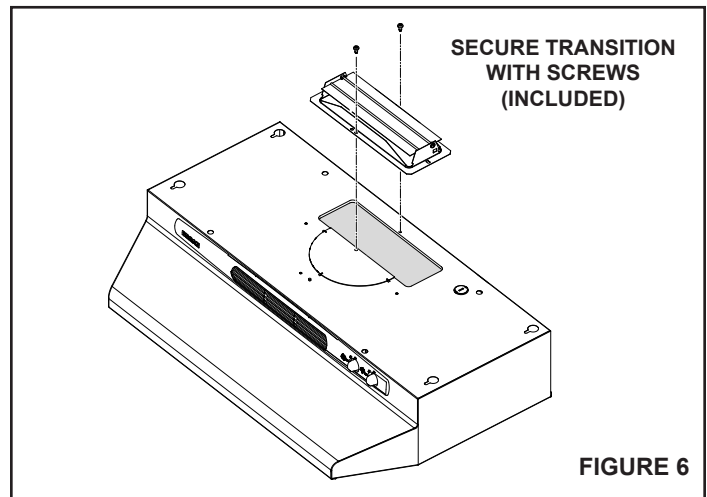


FIGURE 6

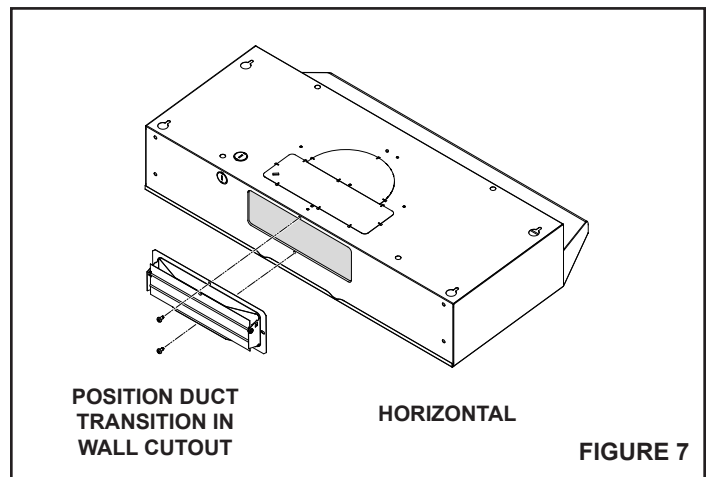


FIGURE 7

## WIRING CONNECTIONS

All wiring connections must comply with local codes and the unit must be properly grounded.

1. Make sure box connector is secure.
2. **Refer to FIGURE 8.** Make wiring connections.
3. Replace electrical box cover and secure with screw.

## LAMP INSTALLING OR REPLACEMENT

1. Depress sides of light diffuser until tabs of diffuser disengage from slots in hood. Remove diffuser.
2. Install (2) 60 watt maximum, Type A-19 bulbs.
3. Replace difuser in hood by depressing sides and engaging tabs in slots in hood.

## FILTER INSTALLATION AND REPLACEMENT

1. For ducted operation, install the aluminum mesh filter. For non-duct operation, install the non-ducted filter (Model BPQTF, sold separately).
2. **Refer to FIGURE 9.** The filter slides into channels at the back of the hood, on either side of the fan compartment, and snaps under the spring clips near the front of the fan compartment.

## MAINTENANCE

### FILTERS

**IMPORTANT:** The aluminum filter should be removed once monthly and washed in hot detergent water. Rinse in clear, warm water and shake off excess moisture before replacing. The filter may also be cleaned in your dishwasher.

**IN A NON-DUCTED INSTALLATION:** Replace filter every 3-6 months as needed.

### CLEANING

The hood should be wiped off occasionally both inside and outside using warm water, mild dish detergent and a soft cloth. Never use scouring powders, steel wool pads or any other abrasive cleaners which will destroy the hood's finish.

## REPLACEMENT PARTS

Should replacement parts be required, please indicate hood model number and appropriate part number. Contact your Broan dealer or NuTone at:

In the U.S. contact:  
**Broan-NuTone LLC** Hartford, Wisconsin  
www.broan.com 800-558-1711

In the Canada contact:  
**Broan-NuTone Canada** Mississauga, Ontario  
www.broan.ca 877-896-1119

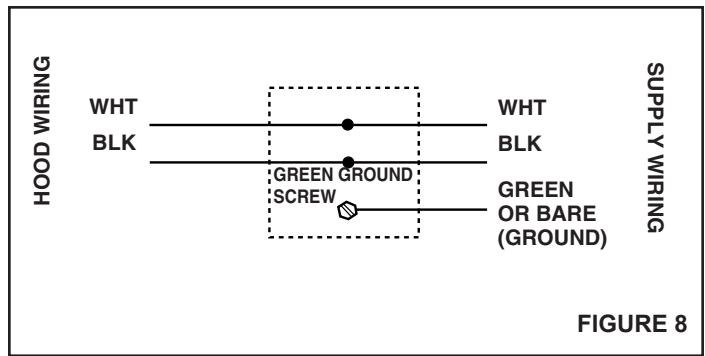


FIGURE 8

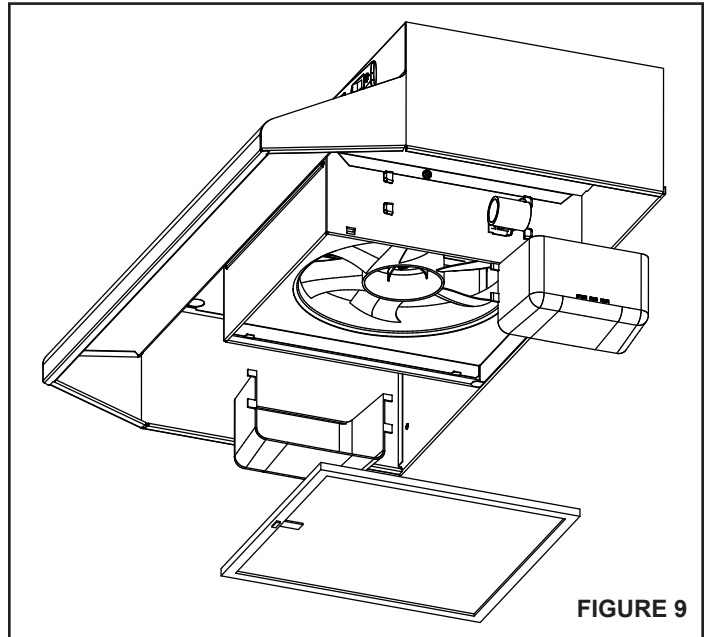
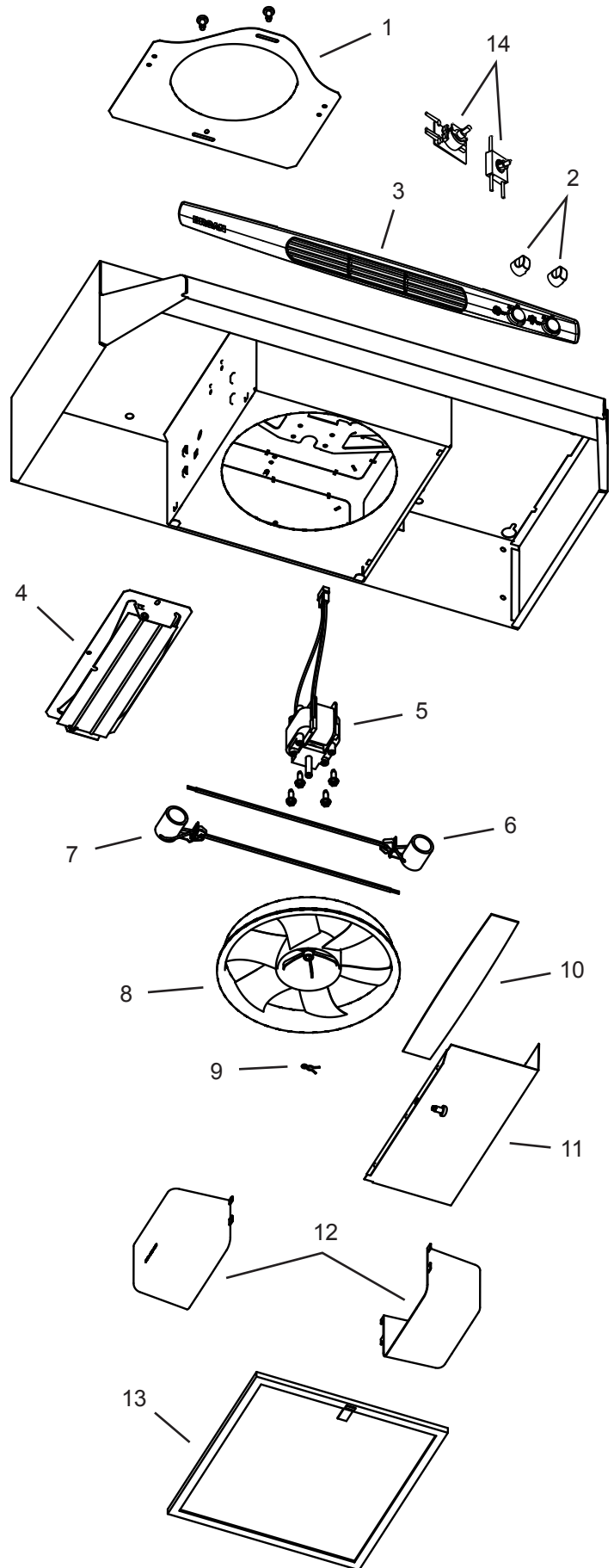


FIGURE 9

# SERVICE PARTS

KEY NO.	PART NO.	DESCRIPTION
1	R680508	7-in. Round Duct Plate
2	R99360244	Knob, White (2 req.)
	R99360247	Knob, Biscuit (2 req.)
3	R401658	Grille, White
	R401659	Grille, Biscuit
4	R740014	3/4" x 10" Damper Assembly
5	R520135	Motor
6	R566096	Lamp Socket Assembly (Short Wires)
7	R566097	Lamp Socket Assembly (Long Wires)
8	R531076	Fan Blade
9	R607225	External Hitch Pin (Hairpin)
10	R401603	Baffle, White
	R401606	Baffle, Biscuit
11	R680541	Wiring Cover
12	R401650	Light Lens
13	R610092	Aluminum Filter
14	R561138	Fan & Light Switch
*	NTK4402-000	Rectifier Assembly (Night Light)
*	R111687	Wire Harness (includes switches & rectifier)
*	99010317	Non-Ducted Filter (Purchase separately)

Order replacement parts by PART NO. - not by KEY NO.  
 \* Not illustrated



# WARRANTY

---

## BROAN ONE YEAR LIMITED WARRANTY

Broan warrants to the original consumer purchaser of its products that such products will be free from defects in materials or workmanship for a period of one year from the date of original purchase. THERE ARE NO OTHER WARRANTIES, EXPRESS OR IMPLIED, INCLUDING, BUT NOT LIMITED TO, IMPLIED WARRANTIES OF MERCHANTABILITY OR FITNESS FOR A PARTICULAR PURPOSE.

During this one-year period, Broan will, at its option, repair or replace, without charge, any product or part which is found to be defective under normal use and service.

THIS WARRANTY DOES NOT EXTEND TO FLUORESCENT LAMP STARTERS AND TUBES. This warranty does not cover (a) normal maintenance and service or (b) any products or parts which have been subject to misuse, negligence, accident, improper maintenance or repair (other than by Broan), faulty installation or installation contrary to recommended installation instructions.

The duration of any implied warranty is limited to the one-year period as specified for the express warranty. Some states do not allow limitation on how long an implied warranty lasts, so the above limitation may not apply to you.

BROAN'S OBLIGATION TO REPAIR OR REPLACE, AT BROAN'S OPTION, SHALL BE THE PURCHASER'S SOLE AND EXCLUSIVE REMEDY UNDER THIS WARRANTY. BROAN SHALL NOT BE LIABLE FOR INCIDENTAL, CONSEQUENTIAL OR SPECIAL DAMAGES ARISING OUT OF OR IN CONNECTION WITH PRODUCT USE OR PERFORMANCE. Some states do not allow the exclusion or limitation of incidental or consequential damages, so the above limitation or exclusion may not apply to you.

This warranty gives you specific legal rights, and you may also have other rights, which vary from state to state. This warranty supersedes all prior warranties.

To qualify for warranty service, you must (a) notify the company at the address or phone number below (b) give the model number and part identification and (c) describe the nature of any defect in the product or part. At the time of requesting warranty service, you must present evidence of the original purchase date.

In the U.S. contact:

**Broan-NuTone LLC** Hartford, Wisconsin [www.broan.com](http://www.broan.com) 800-558-1711

In the Canada contact:

**Broan-NuTone Canada** Mississauga, Ontario [www.broan.ca](http://www.broan.ca) 877-896-1119

# Campana de Cocina Serie QL100

Para registrar este producto visite: [www.broan.com](http://www.broan.com)



**PREVISTO PARA COCINAR DOMÉSTICO SOLAMENTE.**



## INSTRUCCIONES IMPORTANTES DE SEGURIDAD

**CUIDADO – PARA REDUCIR EL RIESGO DE FUEGO, DESCARGA ELÉCTRICA, O LESIONES A PERSONAS, OBSERVE LO SIGUIENTE:**

1. Use esta unidad solamente en la manera a la que fue destinada por el fabricante. Si tiene cualquier pregunta, póngase en contacto con el fabricante a la dirección y teléfono enlistado en la sección de la garantía.
2. Antes de limpiar o de poner en servicio la unidad, apague el interruptor en el panel de servicio para evitar que se encienda accidentalmente. Cuando el dispositivo para desconectar el servicio eléctrico no puede ser cerrado con algún tipo de traba, sujete fuertemente al panel de servicio, una etiqueta de advertencia prominente.
3. Una persona calificada debe de hacer el trabajo de instalación del cableado eléctrico de acuerdo con los códigos y estándares aplicables.
4. Para cualquier equipo que quema combustible es necesario tener el aire suficiente para que haya combustión apropiada y salida de los gases a través de la chimenea y así prevenir que estos gases se regresen. Siga las directivas del fabricante del equipo de calentar y los estándares de seguridad como los que han sido publicados por la National Fire Protection Association (NFPA) (Asociación Nacional de Protección de Fuego) y la American Society for Heating, Refrigeration and Air Conditioning Engineers (ASHRAE) (La Sociedad Americana de Ingenieros para Calefacción, Refrigeración y Aire Acondicionado) y las autoridades de código locales.
5. Cuando corte o perforo una pared o techo, no haga daño a los alambres eléctricos y otras instalaciones ocultas.
6. Ventiladores o abanicos que usan ductos deben siempre descargar el aire al exterior.
7. Uso con el kit aprobado de la conexión de la cuerda solamente.
8. Para reducir el riesgo de fuego use solamente ductos de metal.

**PARA REDUCIR EL RIESGO DE UN INCENDIO DE GRASA ENCIMA DE LA ESTUFA:**

1. Nunca deje sin atender las unidades de superficie cuando tengan ajustes altos. Los reboses pueden provocar humo y derrames grasosos que se pueden incendiar. Caliente lentamente el aceite en un ajuste bajo o medio.
2. Siempre ENCIENDA la campana cuando cocine con alta temperatura o cuando cocine alimentos que se puedan incendiar.
3. Limpie con frecuencia los ventiladores. No debe permitir que la grasa se acumule en el ventilador ni en el filtro.
4. Utilice un sartén de tamaño adecuado. Siempre utilice el utensilio adecuado al tamaño del elemento de superficie.

**PARA REDUCIR EL RIESGO DE LESIONES A PERSONAS EN EL CASO DE UN INCENDIO DE GRASA ENCIMA DE LA ESTUFA, OBSERVE LO SIGUIENTE:\***

1. AHOQUE LAS LLAMAS con una tapa que cierra apretadamente, una lámina para galletas o una bandeja de metal y entonces apague el quemador. ESTE SEGURO EN NO QUEMARSE. Si las llamas no se apagan inmediatamente, DESOCUPE LA COCINA Y CASA Y LLAME A LOS BOMBEROS.
2. NUNCA LEVANTE UNA OLLA QUE ESTE INCENDIÁNDOSE - Usted puede quemarse.
3. NO USE AGUA, incluyendo trapos o toallas mojadas ya que el usarlos resultará en una explosión violenta.

## INSTRUCCIONES IMPORTANTES DE SEGURIDAD

4. Use un extinguidor SOLAMENTE si:
  - A. Usted sabe que tiene un extinguidor de la Clase ABC y usted ya sabe cómo operarlo.
  - B. El fuego es pequeño y está contenido en el área donde comenzó.
  - C. Se esté llamando a los bomberos.
  - D. Usted puede tratar de apagar el fuego con su espalda hacia una salida.

\* Basado en los "Kitchen Firesafety Tips" (Consejos para Seguridad de Fuego en la Cocina) publicado por la NFPA.

## INSTRUCCIONES IMPORTANTES DE SEGURIDAD

1. Para uso de ventilación general solamente. No lo use para extraer materiales o vapores explosivos o peligrosos.
2. Para reducir el riesgo de incendio o de electrocución, no se debe usar la campana de esa cocina con un elemento adicional de control de velocidad.
3. Para reducir el riesgo de electrocución, desconecte la alimentación antes de prestar servicio.
4. Asegúrese de agotar el aire por conductos hacia el exterior, para reducir el riesgo de incendio y para agotar apropiadamente el aire.

## PLANEAMIENTO

La altura recomendada para montaje es de 45,72 a 60,96 cm (18 a 24 pulgadas) desde la parte inferior de la campana de la cocina hasta la parte superior de la superficie para cocinar.

La campana debe montarse en la parte inferior de un armario normal de pared. (Asegure la campana a los pernos de montaje de la pared, si la campana debe montarse directamente en la pared.)

Todo el cableado debe cumplir con los códigos locales y la unidad debe estar adecuadamente conectada a tierra. La campana está conectada a un circuito de iluminación de 110-120VCA (15 Amp) en el interruptor de circuito o caja de fusibles.

Esta campana de cocina es "convertible", puede instalarse como una unidad conectada o no conectada a conductos.

**SI LA CAMPANA DE COCINA NO SE CONECTA A CONDUCTOS:**

Compre un filtro de carbón sin conductos (libre de conductos) Modelo BPQTF.

**SI LA CAMPANA DE COCINA SE CONECTA A CONDUCTOS:**

Los conductos pueden instalarse vertical o horizontalmente. Los tramos de conducto deben ser tan cortos como sea posible. Evite el uso de codos. Use cinta para conductos en todas las juntas. No use un conducto más pequeño (o que la descarga de la campana). Para instalación de conductos circulares de 17,78 (7"), use un regulador circular de 17,78 cm (7"), Modelo BP87 (97010792). Compre regulador circular separado.

### DESCARGA HORIZONTAL A TRAVES DE LA PARED

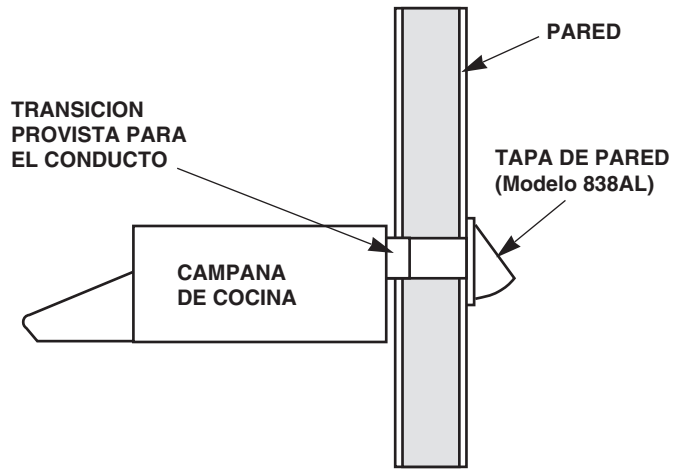
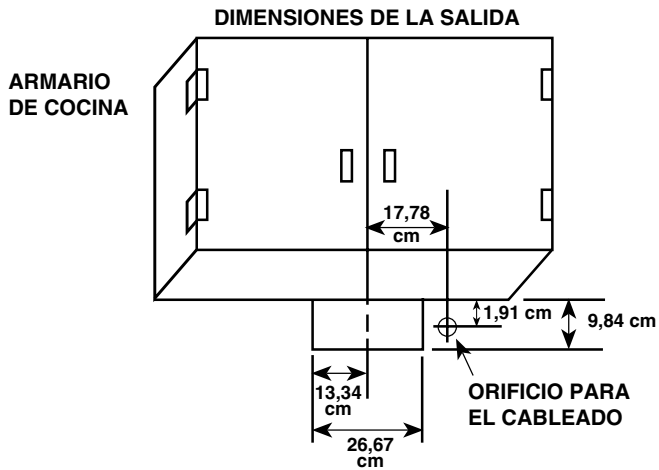


FIGURA 1

### DESCARGA VERTICAL USANDO UN CONDUCTO DE 8,26 cm x 25,40 cm (3¼ x 10")

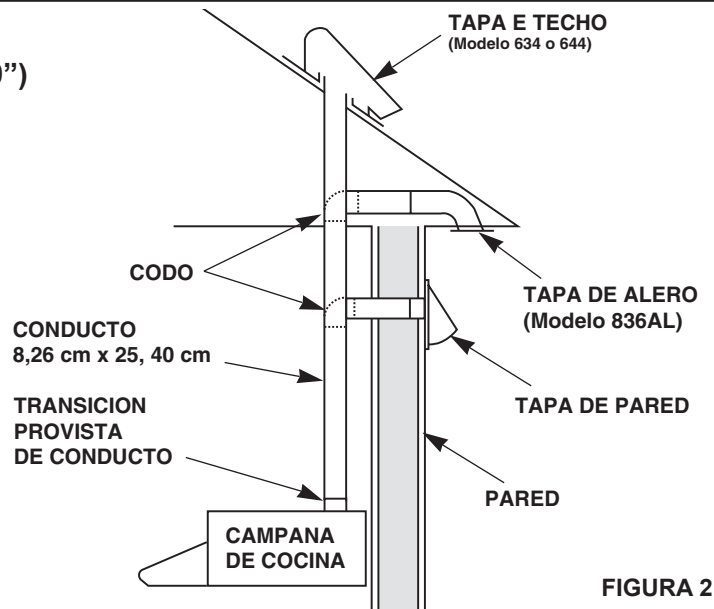
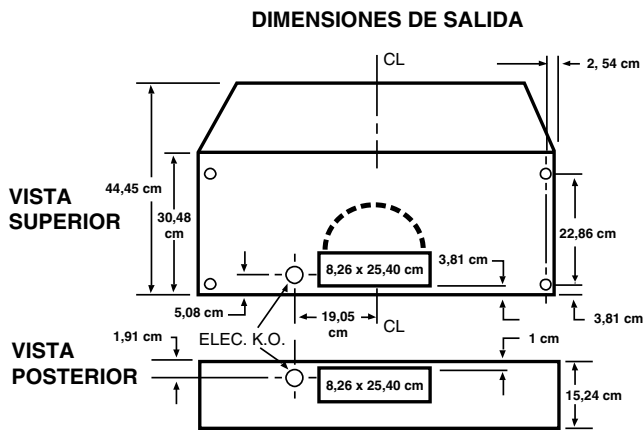


FIGURA 2

### DESCARGA VERTICAL USANDO UN CONDUCTO CIRCULAR DE 17,78 cm (7")

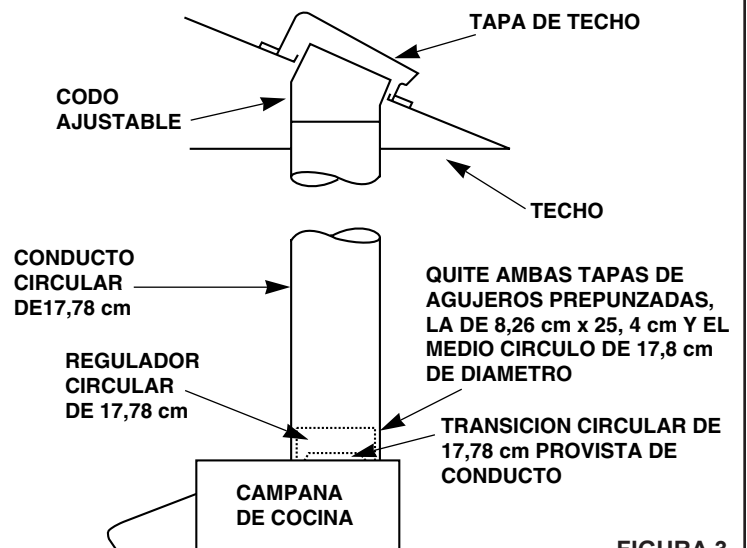
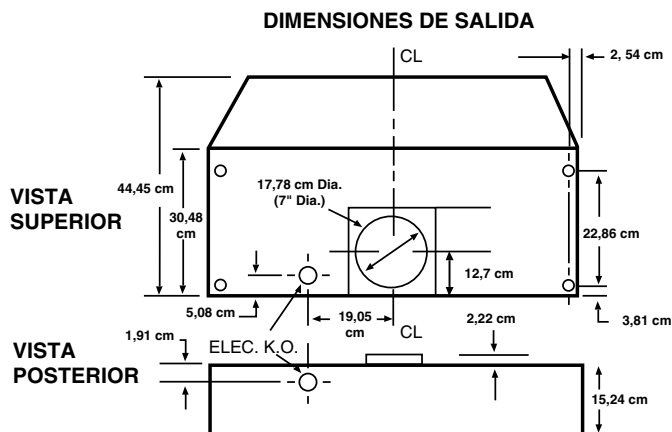


FIGURA 3

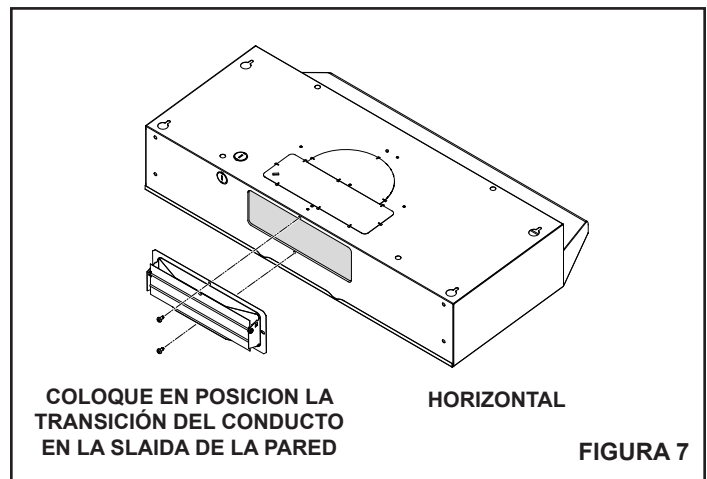
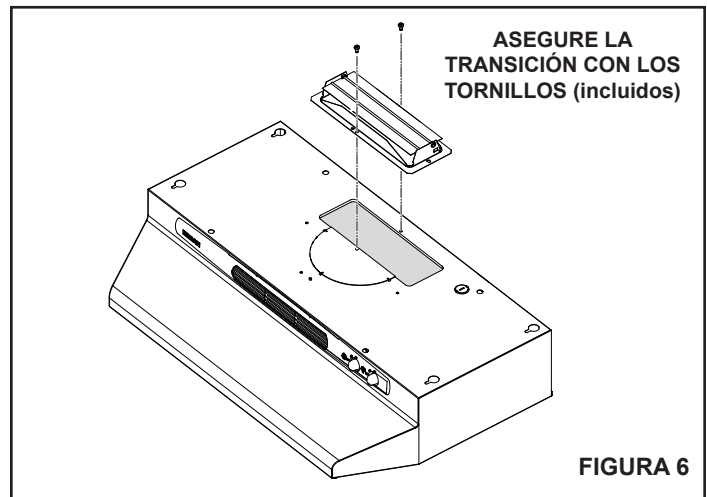
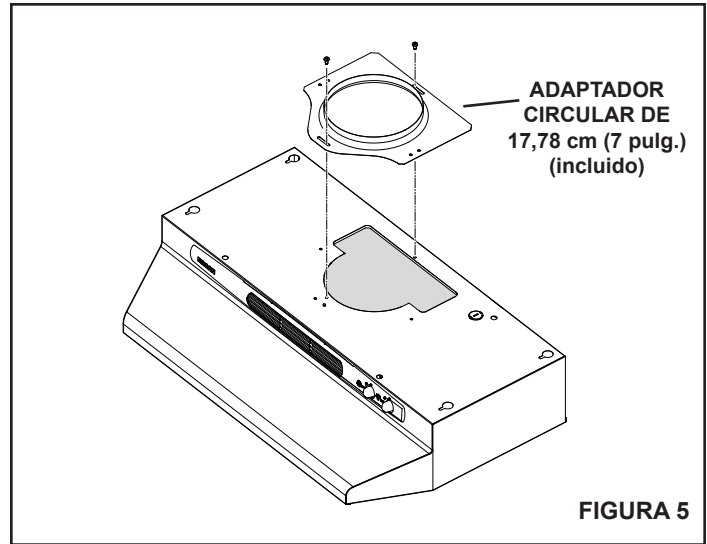
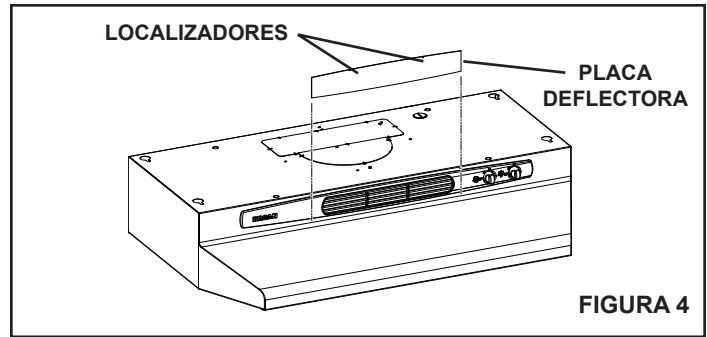


## PREPARACION

1. Use los dibujos dimensionales (**FIGURAS 1 - 3**) para disponer los orificios de montaje de la campana, acceso del cableado y conductos, marcando el fondo del armario y el tabique donde sea aplicable. **NOTA:** Los gabinetes con los fondos ahuecados requerirán las calzas de madera hacer rubor de la superficie de montaje con el marco de gabinete.
2. Efecto e los cortes para el cableado y el conducto.
3. Instale el conducto de manera que esté al ras con la superficie de montaje de la campana de cocina, si la campana se conecta a un conducto.  
Si la campana de la cocina se instala con una descarga horizontal, **refiérase a la FIGURA 1.**  
Si la campana de la cocina se instala con una descarga vertical, **refiérase a las FIGURAS 2 y 3.**
4. Tienda un cable de dos conductores (con conexión a tierra) desde una fuente de potencia a la ubicación de la campana. Traiga 30,48 cm (12") de cableado aproximadamente a través del orificio de cableado en el armario.
5. Taladre cuatro orificios piloto de 0,24 cm (3/32") de diámetro en los puntos donde están marcados los orificios de montaje en el fondo del armario.
6. Inserte cuatro (4) tornillo de montaje, dejando aproximadamente 0,64 cm (1/4") de rosca expuesta.
7. Extraiga y guarde los tornillos de montaje, asegurando las transiciones de conducto de 8,26 cm x 25,40 cm (3¼" x 10") y 17,78 cm (7") a la campana. Instale la transición de conducto apropiada según se describe en la sección de instalación

## INSTALACIÓN

1. Extraiga la abertura de conducto y el orificio ciego de cableado necesarios, de la campana de cocina.  
**Si la campana de cocina se instala como una unidad sin conductos**, extraiga el orificio ciego del cableado solamente.  
**Si la campana de cocina se instala como una unidad con conducto**, se provee una placa deflectora para cerrar el ventilador sin conducto. Instale la placa deflectora (**refiérase a la FIGURA 4**) deslizando en su lugar detros de la rejilla. Use las salientes del localizador para orientar en la rejilla.
2. **Para una instalación de descarga circular de 17,78 cm (7")**, **refiérase a la FIGURA 5.** Asegure el adaptador de 17,78 cm (7") (incluido) al tope de la campana usando los tornillos provistos. Instale regulador redondo de 17,78 cm de diámetro (Modelo BP87 (97010792), se compra por separado).  
**Para una instalación de descarga vertical**, **refiérase a la FIGURA 6.** Asegure la transición de 8,26 cm x 25,40 cm (3¼" x 10") (si usada) al tope de la campana.  
**Para una instalación de descarga horizontal** **refiérase a la FIGURA 7.** Si está utilizando el transición del conducto de 8,26 cm x 25,40 cm (3¼" x 10"), asegúrelo a la campana. Asegúrese de que la aleta más húmeda funcione completamente y libremente. Si no, quitar la aleta más húmeda o hacer modificaciones necesarias a la instalación para asegurar la operación completa y libre de la aleta más húmeda.
3. Alimente el cableado a través del orificio de acceso y dentro de la caja eléctrica.
4. Alinee las ranuras de montaje de la chivetero de la campana sobre los cuatro (4) tornillos parcialmente instalados.
5. Asegurándose que el conducto esté en posición sobre la transición del conducto de la campana, empuje esta última contra la pared posterior. Asegure la campana, ajustando los tornillos.
6. Usando un destornillador de hoja larga, llegue a la abertura de descarga y asegúrese que la aleta del regulador opere libremente (vertical solamente).



## CONEXIONES DE CABLEADO

Todas las conexiones de cableado deben cumplir con el código local y la unidad debe estar apropiadamente conectada a tierra.

1. Asegúrese que el conector de la caja esté bien asegurado.
2. **Refiérase a la FIGURA 8.** Efectúe las conexiones del cableado.
3. Reemplace la cubierta de la caja eléctrica y asegure con un tornillo.

## INSTALACION Y REEMPLAZO DE LAMPARA

1. Apriete los lados del difusor de luz hasta que se desenganchen las aletas del difusor de las ranuras en la campana.
2. Instale (2) lámparas de Tipo A-19 de 60 vatios máximo.
3. Vuelva a colocar el difusor en la campana apretando los lados y enganchando las aletas en las ranuras de la campana.

## INSTALACION Y REEMPLAZO DE FILTRO

1. Para una operación con conducto instale el filtro de malla de aluminio. Para una operación sin conducto, instale el filtro de carbón (Modelo BPQTF, vendido separadamente).
2. **Refiérase a la FIGURA 9.** El filtro se desliza dentro de correderas en la parte posterior de la campana, en cualquiera de los lados del compartimiento del ventilador, y calza debajo de los broches del resorte cerca de la parte delantera del compartimiento del ventilador.

## MANTENIMIENTO

### FILTROS

**IMPORTANTE:** El filtro de aluminio debe extraerse una vez por mes y lavarse en agua caliente con detergente. Enjuague en agua limpia, tibia y sacuda el agua sobrante antes de volver a colocar. El filtro puede también limpiarse en su lavadora de platos.

**EN UNA INSTALACION SIN CONDUCTO:** Reemplace el filtro cada 3-6 meses según se requiera, en instalaciones sin conducto.

### LIMPIEZA

La campana debe limpiarse de tanto en tanto, por dentro y fuera, usando agua tibia, detergente suave para platos y un trapo suave. Nunca use polvos abrasivos, almohadillas de lana de acero o ningún otro limpiador abrasivo que destruirá el acabado de la campana.

## PIEZAS DE REPUESTO

Indique por favor el número correcto de la pieza, si requiere piezas de repuesto. Consulte con sus distribuidores Broan o escriba a NuTone:

En los E.E.U.U., entre en contacto con:  
**Broan-NuTone LLC** Hartford, Wisconsin  
www.broan.com 800-558-1711

Los residentes de Canada:  
**Broan-NuTone Canada** Mississauga, Ontario  
www.broan.ca 877-896-1119

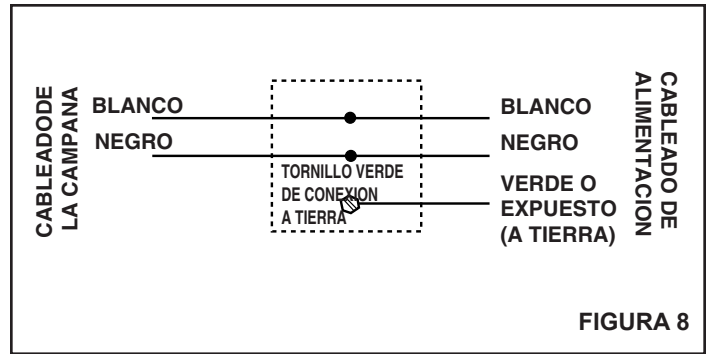


FIGURA 8

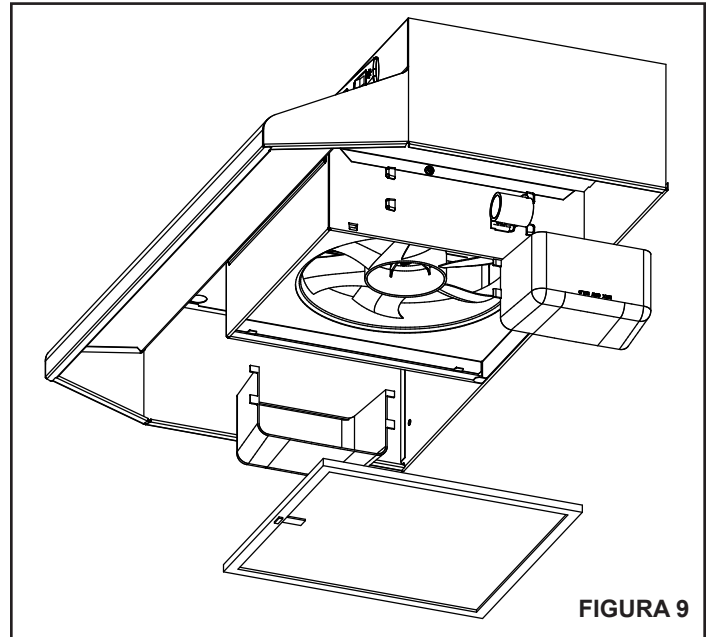


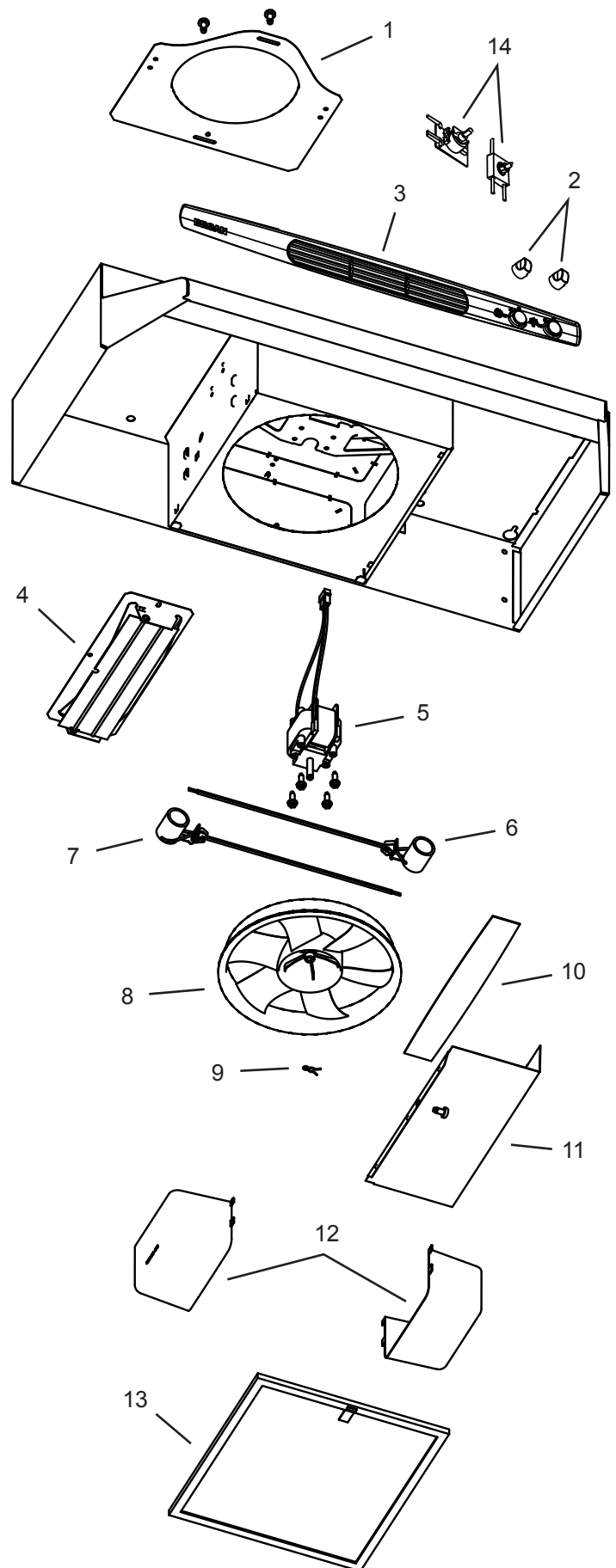
FIGURA 9

# PIEZAS DE SERVICIO

NO. CODIGO	NO. PIEZA	DESCRIPCION
1	R680508	Placa de conducto redondo de 17,78 cm (7 pulg.)
2	R99360244	Botón, Blanco (2 req.)
	R99360247	Botón, Beige (2 req.)
3	R401658	Rejilla, Blanco
	R401659	Rejilla, Beige
4	R740014	Ensamblaje de conducto de 8,26 cm x 25,40 cm (3¼ x 10 pulg.)
5	R520135	Motor
6	R566096	Ensamblaje de casquillo de luz (alambres corto)
7	R566097	Ensamblaje de casquillo de luz (alambres largo)
8	R531076	Aleta de ventilador
9	R607225	Pasador externo (horquilla)
10	R401603	Deflector, Blanco
	R401606	Deflector, Beige
11	R680541	Cubierta de los alambres
12	R401650	Lente de luz
13	R610092	Filtro de aluminio
14	R561138	Interruptor de ventilador y luz
*	NTK4402-000	Ensamblaje de rectificador (luz de noche)
*	R111687	Ensamblaje de alambres (incluye interruptores y rectificador)
*	99010317	Filtro sin ducto conductos (compra separado)

Pida las piezas de servicio por NO. CODIGO - no por NO. PIEZA.

\* No ilustrado



# GARANTIA

---

## GARANTIA BROAN LIMITADA POR UN AÑO

Broan garantiza al consumidor comprador original de sus productos que dichos productos carecerán de defectos en materiales o en mano de obra por un período de un año a partir de la fecha original de compra. NO EXISTEN OTRAS GARANTIAS, EXPLICITAS O IMPLICITAS, INCLUYENDO, PERO NO LIMITADAS A, GARANTIAS IMPLICITAS DE COMERCIALIZACION O APTITUD PARA UN PROPOSITO PARTICULAR.

Durante el período de un año, y a su propio criterio, Broan reparará o reemplazará, sin costo alguno cualquier producto o pieza que se encuentre defectuosa bajo condiciones normales de servicio y uso.

ESTA GARANTIA NO SE APLICA A TUBOS Y ARRANCADORES DE LAMPARAS FLUORESCENTES. Esta garantía no cubre (a) mantenimiento y servicio normales o (b) cualquier producto o piezas que hayan sido utilizadas de forma errónea, negligente, que hayan causado un accidente, o que hayan sido reparadas o mantenidas inapropiadamente (por otras compañías que no sean Broan), instalación defectuosa, o instalación contraria a las instrucciones de instalación recomendadas.

La duración de cualquier garantía implícita se limita a un período de un año como se especifica en la garantía expresa. Algunos estados no permiten limitaciones en cuanto al tiempo de expiración de una garantía implícita, por lo que la limitación antes mencionada puede no aplicarse a usted.

LA OBLIGACION DE BROAN DE REPARAR O REEMPLAZAR, SIGUIENDO EL CRITERIO DE BROAN, DEBERA SER EL UNICO Y EXCLUSIVO RECURSO LEGAL DEL COMPRADOR BAJO ESTA GARANTIA. BROAN NO SERA RESPONSABLE POR DAÑOS INCIDENTALES, CONSIGUIENTES, O POR DAÑOS ESPECIALES QUE SURJAN A RAIZ DEL USO O DESEMPEÑO DEL PRODUCTO. Algunos estados no permiten la exclusión o limitación de daños incidentales o consiguientes, por lo que la limitación antes mencionada puede no aplicarse a usted.

Esta garantía le proporciona derechos legales específicos, y usted puede también tener otros derechos, los cuales varían de estado a estado. Esta garantía reemplaza todas las garantías anteriores.

Para calificar en la garantía de servicio, usted debe (a) notificar a la compañía al domicilio o al teléfono que se menciona abajo (b) dar el número del modelo y la identificación de la pieza, y (c) describir la naturaleza de cualquier defecto en el producto o pieza. En el momento de solicitar servicio cubierto por la garantía, usted debe de presentar evidencia de la fecha original de compra.

En los E.E.U.U., entre en contacto con:

**Broan-NuTone LLC** Hartford, Wisconsin [www.broan.com](http://www.broan.com) 800-558-1711

Los residentes de Canada:

**Broan-NuTone Canada** Mississauga, Ontario [www.broan.ca](http://www.broan.ca) 877-896-1119